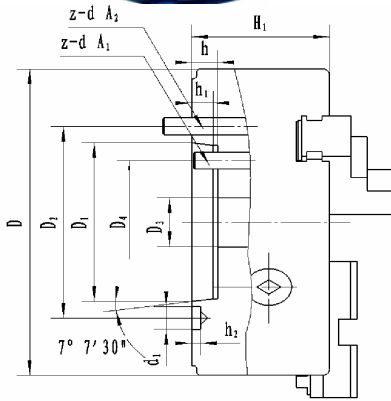


Large Bore Chucks

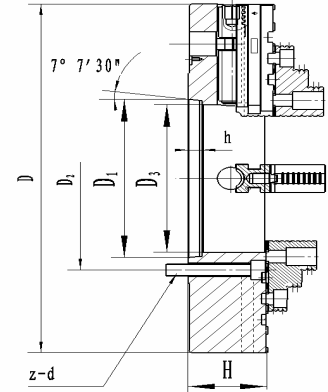
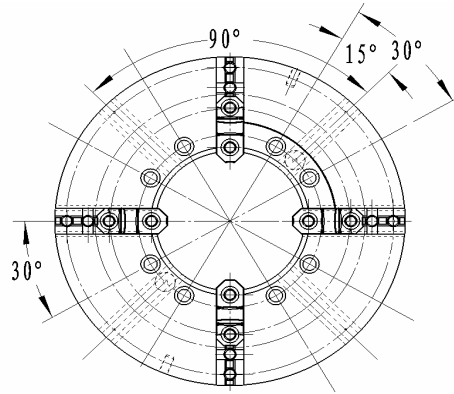
Oil Country Chucks
25" Extra Heavy Duty - Extra Large Thru Hole



Solid Steel Body
Two Piece Top Reversible Jaws
Mounting Bolts
Chuck Wrench



3 Jaw



4 Jaw

3 Jaw Forged Steel

Size	Model	D	D1	D2	D3	D4	H1	h	h1	h2	d1	z-d
25"	1-253A120R	24.803	16.251	\	12.520	14.500	6.850	0.875	0.748	0.394	1.657	6-1"-8
25"	1-253A215R	24.803	11.251	13.000	10.512	\	6.850	0.827	0.669	0.394	1.406	6-7/8"-9

3 Jaw Semi Steel

Size	Model	D	D1	D2	D3	D4	H1	h	h1	h2	d1	z-d
25"	2-253A211R	24.803	7.751	11.024	7.500	\	6.643	0.630	0.630	0.394	1.157	6-3/4"-10

4 Jaw Forged Steel

Size	Model	D	D1	D2	D3	H	h	z-d
25"	1-254A215R	24.803	11.251	13.000	10.512	6.850	0.827	8-7/8"-9
25"	1-254A220R	24.803	16.251	18.252	12.520	6.850	0.906	8-1"-8

4 Jaw Semi Steel

Size	Model	D	D1	D2	D3	H	h	z-d
25"	2-254A211R	24.803	7.751	9.252	7.500	6.693	0.787	4-3/4"-10

Chuck Parameters

Model	Mounting	Hole Dia.	Torque (Nm)	Max RPM	Weight
1-253A120R	A1-20	12.500	400	850	618
1-253A215R	A2-15	10.236	400	1000	678
2-253A211R	A2-11	7.500	400	600	530
1-254A215R	A2-15	10.500	400	1000	569
1-254A220R	A2-20	12.500	400	850	506
2-254A211R	A2-11	7.500	400	600	385



BTC CHUCKS
WH INDUSTRIAL

2000 S. Garfield Ave.
Los Angeles, CA. 90040
800-289-5771
323-887-1895 Local
323-726-9409 Fax
WWW.BTCCHUCK.COM

Large Bore Chucks

SpareParts

4 Jaw Spare Parts



Chuck Size	Model	Reversible Hard Top Jaws 1 Pc.	Soft Top Jaws 1 Pc	Master Jaws 1 Pc	Thrust Bearing	Operating Screw	" T " Wrench
25"	1-254A215R	1-254-7	1-254-0	1-254-6	1-254-8	1-254-2	1-254-3
25"	1-254A220R	1-254-7	1-254-0	1-254-6	1-254-8	1-254-2	1-254-3
25"	2-254A211R	2-254-7	2-254-0	2-254-6	2-254-8	2-254-2	2-254-3

3 Jaw Spare Parts



Chuck Size	Model	Reversible Hard Top Jaws 1 Pc.	Soft Top Jaws 1 Pc	Master Jaws 1 Pc	Scroll	Pinion	" T " Wrench	Pinion Half Ring 1 Pc	Pinion Sleeve 1 PC
25"	1-253A120R	1-253-7	1-253-0	1-253-6	1-253-1	1-253-2	1-253-3	1-253-9	1-253-11
25"	1-253A215R	1-253-7	1-253-0	1-253-6	1-253-1	1-253-2	1-253-3	1-253-9	1-253-11
25"	2-253A211R	2-253-7	2-253-0	2-253-6	1-253-1	2-253-2	2-253-3	2-253-9	2-253-11