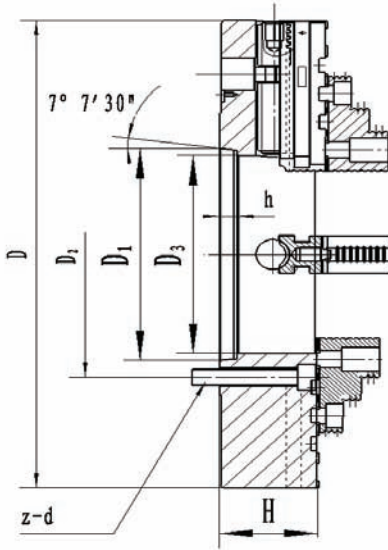


LARGE BORE CHUCKS FOUR JAW

Oil Country Chucks
Heavy Duty or Medium Duty
Extra Large Thru Hole

Forged Steel Body or Semi Steel Body
Two Piece Top Reversible Jaws
Mounting Bolts
Chuck Wrench



PRINCIPAL SPECIFICATIONS

Size	MODEL/MTG.	Hole Dia. D3	D	D1	D2	H	h	z-d
25"	254A211R	7.520	24.803	7.751	9.252	4.646	0.787	8-M20 x 130
25"	254A215R	11.000	24.803	11.251	13.000	5.040	0.827	8-7/8"-9 x 5 1/2"
25"	254A220R	12.5 / 14.6	24.803	16.251	18.252	5.040	0.906	8-1"-8 x 5 1/2"
32"	324A211R	7.520	31.496	7.751	9.252	5.197	0.787	8-M20 x 150
32"	324A215R	11.000	31.496	11.251	13.000	5.197	0.827	8-M24 x 150
32"	324A220R	14.600	31.496	16.251	18.252	5.197	0.906	8-M24 x 140
40"	404A211R	7.520	39.370	7.751	9.252	5.906	0.787	8-M20 x 160
40"	404A215R	11.000	39.370	11.251	13.000	5.906	0.827	8-M24 x 160
40"	404A220R	14.600	39.370	16.251	18.252	5.906	0.906	8-M24 x 160

Heavy Duty Four Jaw Forged Steel (1-)

Size	MODEL/MTG.	Torque (Nm)	Max RPM	Weight
25"	1-254A211R	400	1000	676
25"	1-254A215R	400	1000	622
25"	1-254A220R	400	1000	562
32"	1-324A211R	400	1000	1175
32"	1-324A215R	400	800	1060
32"	1-324A220R	400	800	940
40"	1-404A211R	400	600	1940
40"	1-404A215R	400	600	1900
40"	1-404A220R	400	600	1810

Medium Duty Four Jaw Semi Steel (2-)

Size	MODEL/MTG.	Torque (Nm)	Max RPM	Weight
25"	2-254A211R	400	600	351
25"	2-254A215R	400	600	320
25"	2-254A220R	400	600	300
32"	2-324A211R	400	500	566
32"	2-324A215R	400	500	520
32"	2-324A220R	400	500	490
40"	2-404A211R	400	400	920
40"	2-404A215R	400	400	875
40"	2-404A220R	400	400	850