

## FOUR JAW INDEPENDENT PARALLEL TEE SLOT FLATBACK OR DIRECT MOUNT TYPE "A"

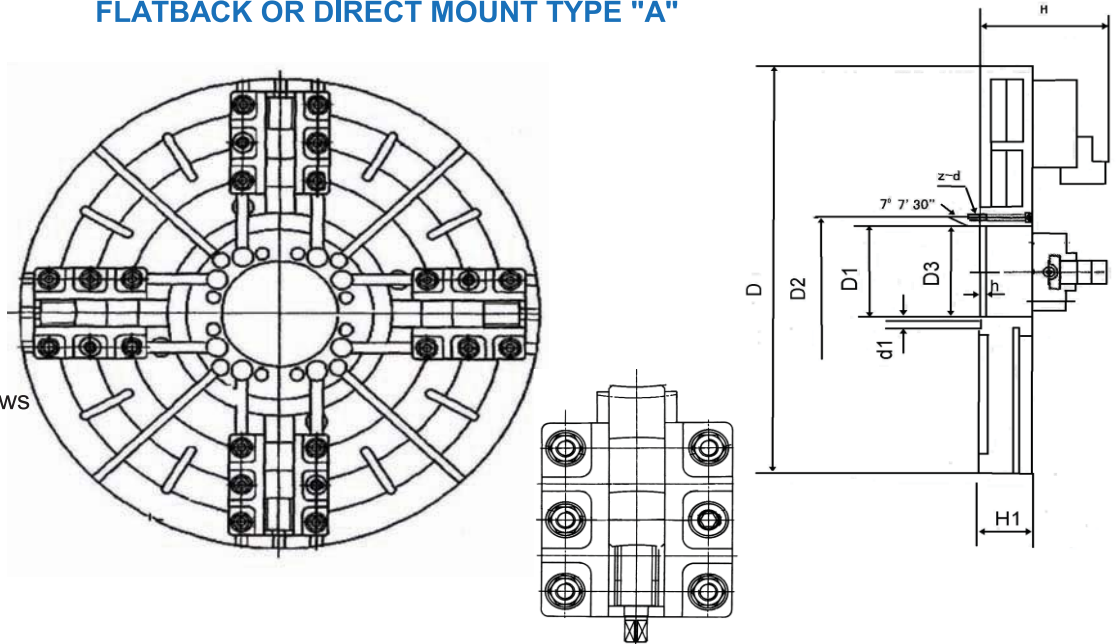
For use on boring mills  
and vertical lathes

**SUPPLIED WITH:**

- Cast steel body
- T-Wrench
- Jaw wrench
- Mounting bolts

**Independent Jaws:**

3 Position Positive Lock Jaws



### PRINCIPAL SPECIFICATIONS

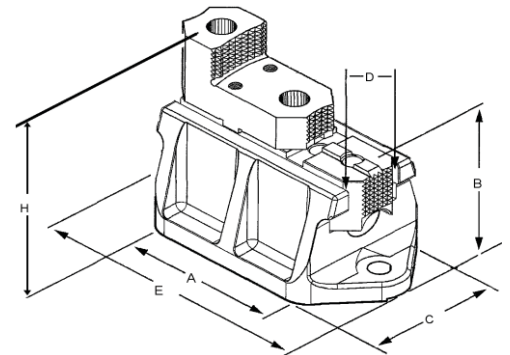
#### FLATBACK STYLE AVAILABLE IN ALL SIZES - PART NUMBER EXAMPLE 2-394FB

SIZE	MODEL	D	SPINDLE D1	D2	D3	H1	H	h	d1	Z-d
39"	<a href="#">2-394A211</a>	39.370	A2-11	9.251	7.086	5.905	13.976	0.787	1.157	8-M20
39"	<a href="#">2-394A215</a>	39.370	A2-15	13.000	11.023	5.905	13.976	0.827	1.405	8-M20
39"	<a href="#">2-394A220</a>	39.370	A2-20	18.251	12.007	5.905	13.976	0.905	1.657	8-M24
49"	<a href="#">2-494A211</a>	49.213	A2-11	9.251	7.086	5.905	13.976	0.787	1.157	8-M20
49"	<a href="#">2-494A215</a>	49.213	A2-15	13.000	11.023	5.905	13.976	0.827	1.405	8-M20
49"	<a href="#">2-494A220</a>	49.213	A2-20	18.251	12.007	5.905	13.976	0.905	1.657	8-M24
55"	<a href="#">2-554A215</a>	55.118	A2-15	13.000	11.023	5.905	13.976	0.827	1.405	8-M20
55"	<a href="#">2-554A220</a>	55.118	A2-20	18.251	12.007	5.905	13.976	0.905	1.657	8-M24
63"	<a href="#">2-634A215</a>	62.992	A2-15	13.000	11.023	5.905	14.567	0.827	1.405	8-M20
63"	<a href="#">2-634A220</a>	62.992	A2-20	18.251	12.007	6.890	14.567	0.905	1.657	8-M24
79"	<a href="#">2-794A215</a>	78.740	A2-15	13.000	11.023	6.890	14.960	0.827	1.405	8-M20
79"	<a href="#">2-794A220</a>	78.740	A2-20	18.251	12.007	6.890	14.960	0.905	1.657	8-M24

### FACE PLATE JAWS

**SUPPLIED WITH:**

- Cast Steel body
- American standard two-piece  
tongue and groove Jaws.
- Jaws ground and hardened.
- Four in each set



SIZE	MODEL	A	B	C	D	E	H	Bolt Size	Weight
6"	<a href="#">FJ06</a>	6.000	4.500	5.500	2.000	8.500	6.844	5/8	175
8"	<a href="#">FJ08</a>	8.000	4.500	5.500	2.250	10.500	7.781	3/4	225

Key in bottom slot 1"