

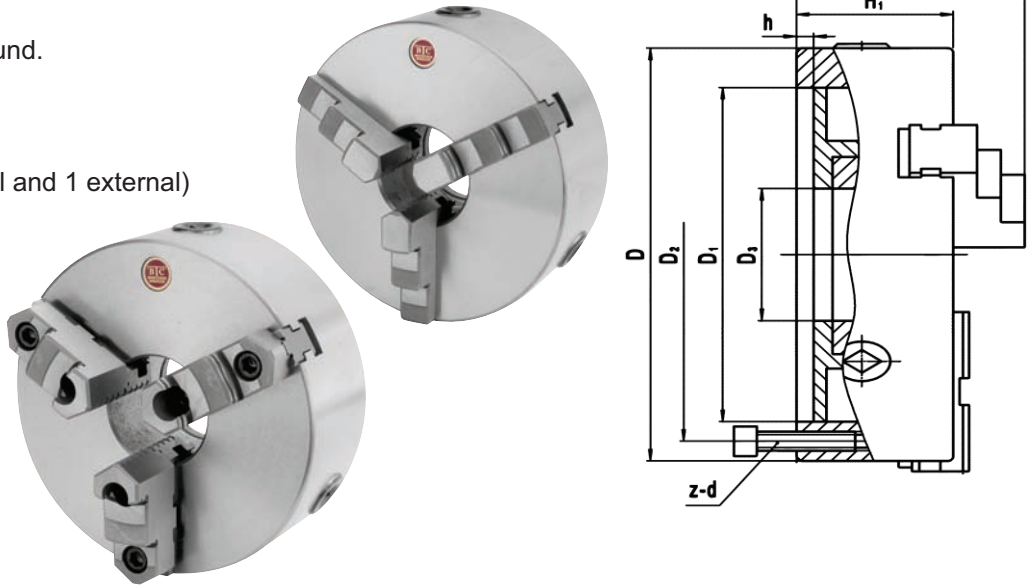
THREE JAW SELF CENTERING HIGH PRECISION SCROLL CHUCKS FLATBACK - SOLID OR TOP REVERSIBLE JAWS

These chucks provide a standard gripping accuracy of 0.0015".
They meet the required International Standards of grade 1
(Precision grade) chucks. Fits many imported rotary tables.

Scroll and jaws hardened and ground.
Semi-steel body.

SUPPLIED WITH:

2 sets of solid hard jaws (1 internal and 1 external)
OR
1 set of hard reversible top jaws
T-Wrench
Mounting screws



PRINCIPAL SPECIFICATIONS

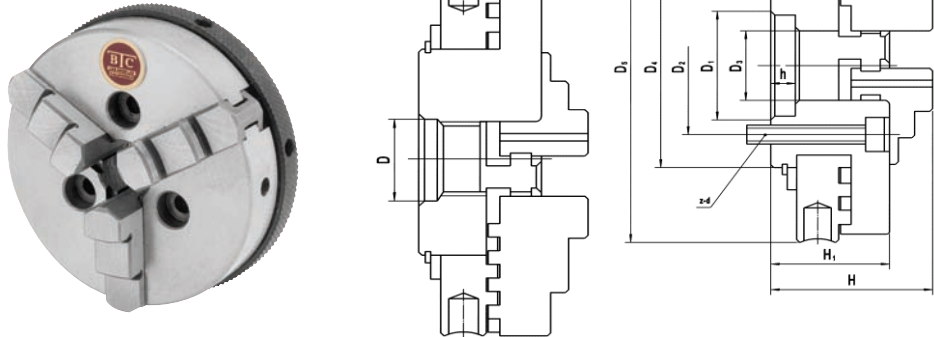
SIZE	MODEL	WEIGHT	D	D1	D2	D3	H	H1	h	Z-d
5"	9053	14	5.197	3.937	4.528	1.260	3.150	2.362	0.197	3-M8
6 1/2"	9063	23	6.575	5.118	5.787	1.772	3.622	2.618	0.177	3-M10
7 1/2"	9083	34	7.559	6.102	6.772	2.283	4.113	2.992	0.197	3-M10
7 1/2"	9083R	36	7.559	6.102	6.772	2.283	4.764	2.992	0.197	3-M10
9"	9103	53	9.173	7.480	8.268	2.756	4.587	3.189	0.256	3-M12

THREE JAW MANUALLY OPERATED SCROLL CHUCKS THREADED MOUNT OR FLATBACK - SOLID JAWS

These chucks are operated manually or with a lever. They have
a high concentricity as well as a wide clamping range.
Semi-steel body.

SUPPLIED WITH:

One set of reversible solid hard jaws
Mounting screws (Flatback Style only)
Lever



PRINCIPAL SPECIFICATIONS

SIZE	MODEL	WEIGHT	D	D1	D2	D3	D4	D5	H	H1	h	Z-d	M
2.5"	0023	2.5	0.555	0.866	1.102	0.551	1.417	2.677	1.339	0.984	0.236	3-M4	M14X1
3"	0033	3.5	0.634	0.984	1.378	0.630	1.772	3.307	1.654	1.181	0.236	3-M5	M16X1
4"	0043	4.5	0.949	1.260	1.654	0.866	2.047	4.094	2.047	1.437	0.236	3-M6	M24X1.5

FOR THREADED MOUNT ADD LETTER "T"