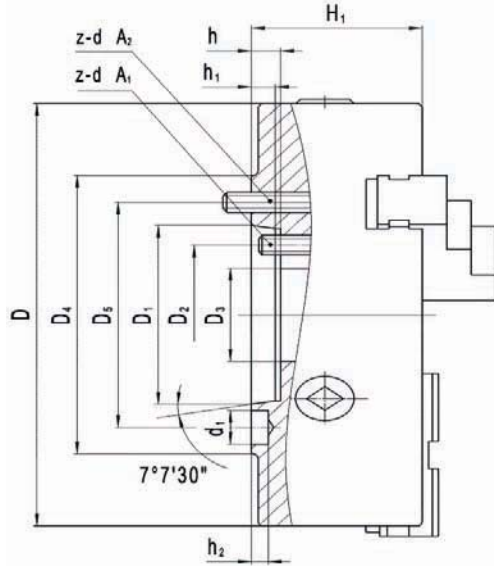


## THREE JAW SELF CENTERING SCROLL CHUCKS TYPE "A" MOUNT - TOP REVERSIBLE JAWS

American standard two-piece tongue & groove Jaws.  
Scroll and jaws hardened and ground.  
Semi-steel body.

### SUPPLIED WITH:

Master jaws and top jaws  
T-Wrench  
Mounting screws



### PRINCIPAL SPECIFICATIONS

#### STYLE A1 (USE INNER TAPPED HOLES)

Size	MODEL	SPINDLE	WEIGHT	D	D1	D2	D3	D4	H1	h	h1	h2	d1	Z-d
8"	6083A5R	A1-5	47	7.874	3.250	2.437	1.575	5.236	3.307	0.563	0.472	0.256	0.642	3-M10
10"	6103A6R	A1-6	74	9.843	4.188	3.252	2.165	6.496	3.661	0.625	0.512	0.256	0.768	6-M12
12"	6123A6R	A1-6	142	12.795	4.188	3.252	2.165	6.496	4.173	0.625	0.512	0.256	0.768	6-M12
12"	6123A8R	A1-8	142	12.795	5.500	4.374	3.071	8.268	4.173	0.687	0.551	0.315	0.953	6-M16
20"	6203A15R	A1-15	320	19.685	11.251	9.748	7.874	14.961	5.315	0.813	0.669	0.394	1.406	6-M24
25"	6253A20R	A1-20	320	24.803	16.251	14.500	12.500	20.500	5.591	0.829	0.748	0.394	1.657	6-M24

Although an A1 type spindle nose has both inner and outer tapped holes,  
These chucks utilize the inner holes, and will NOT fit on an A2 type spindle.

### PRINCIPAL SPECIFICATIONS

#### STYLE A2 (USE OUTER TAPPED HOLES)

Size	MODEL	SPINDLE	WEIGHT	D	D1	D3	D4	D5	H1	h	h1	h2	d1	Z-d
8" <sub>1A</sub>	6083A25SR	A2-5	47	7.874	3.250	2.559	5.236	4.126	3.733	0.563	0.472	0.256	0.642	6-M10
8" <sub>1A</sub>	6083A26SR	A2-6	47	7.874	4.188	2.559	6.496	5.252	4.180	0.625	0.512	0.256	0.768	6-M12
8"	6083A24R	A2-4	47	7.874	2.500	2.362	4.252	3.252	3.386	/	0.394	0.256	0.579	3-M10
10" <sub>1</sub>	6103A26R	A2-6	74	9.843	4.188	3.150	6.496	5.252	3.661	0.625	0.512	0.256	0.768	6-M12
15" <sub>1</sub>	6153A211R	A2-11	142	14.96	7.751	5.315	11.024	9.252	4.875	0.750	0.630	0.394	1.157	6-M20
15" <sub>1</sub>	6153A28R	A2-8	142	14.96	5.500	5.315	8.268	6.748	4.875	0.687	0.630	0.315	0.953	6-M16
20"	6203A211R	A2-11	320	19.685	7.751	7.480	11.024	9.252	5.315	0.787	0.630	0.394	1.157	6-M20
20"	6203A28R	A2-8	320	19.685	5.500	5.354	8.268	6.748	5.315	0.787	0.630	0.394	0.953	6-M16
25"	6253A211R	A2-11	530	24.803	7.751	7.500	11.024	9.252	5.591	0.087	0.630	0.394	1.157	6-M20
25"	6253A215R	A2-15	530	24.803	11.251	10.236	14.961	13.000	5.591	0.827	0.669	0.394	1.406	6-M24

<sup>1</sup> Requires mounting plate (included)      A High speed steel body

These chucks use the outer tapped holes, and will fit on either A1 or A2 type spindles.

SEE PAGE 23 FOR REPLACEMENT PARTS

0.003" TIR repeatability and meet ASA specifications on duplicate parts for chucks through 12"